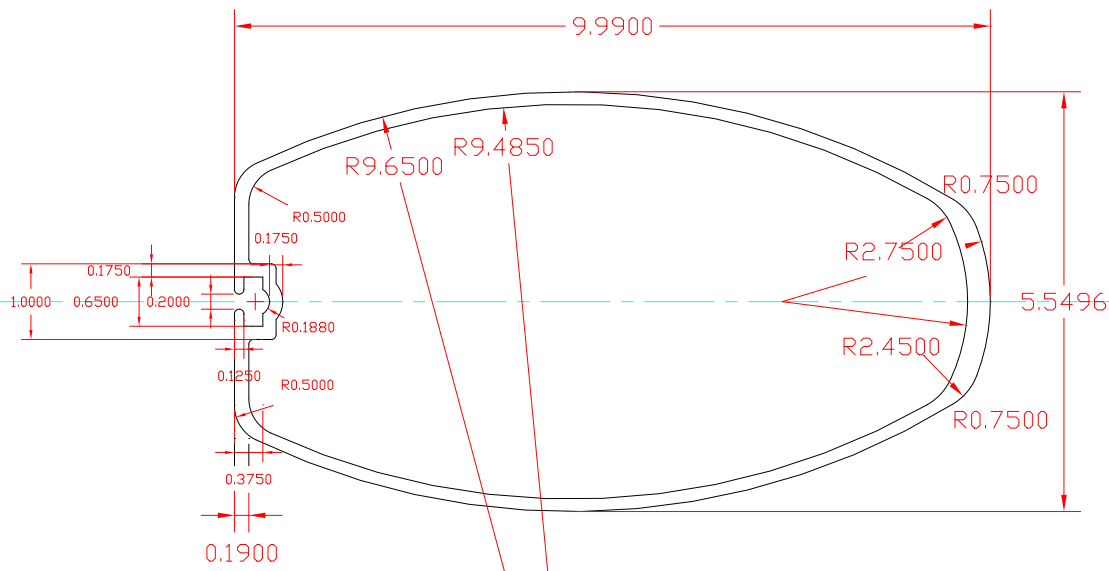


$I_{xx}=58.8$
 $I_{yy}=18.08$
 5.6 #/ft.

SECTION 9855



$I_{xx}=58.8$
 $I_{yy}=18.08$
5.6 #/ft.

SECTION 9855